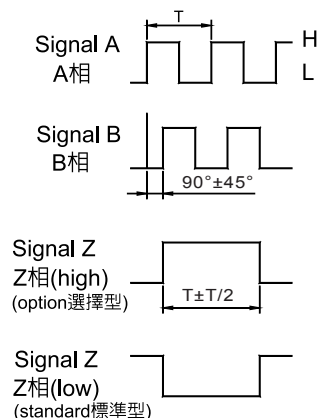


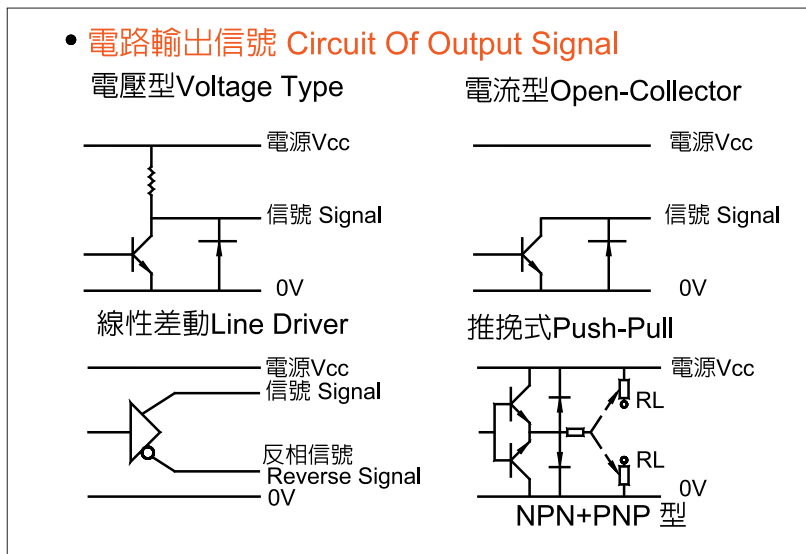
INCREMENTAL ENCODER'S ELECTRICAL DATA

增量型譯碼器電氣特性

輸出波形圖 Output Wave Form



電路輸出信號 Circuit Of Output Signal



接線圖 Electrical Connections

Color wire function of cable

電壓電流型接法 NORMAL CIRCUIT

線性差動式接法 LINE DRIVER CIRCUIT

Color of wire	(pin)	Function	Color of wire	(pin)	Function
Red 紅	1A	+V	Red 紅	1A	+V
Black 黑	2B	0V Common	Black 黑	2B	0V Common
White 白	3C	A 相 CH A	Blue 藍	3C	A 相 CH A
Green 綠	4D	B 相 CH B	Green 綠	4D	B 相 CH B
Yellow 黃	5E	Z 相 CH Z	Yellow 黃	5E	Z 相 CH Z
Shield 隔離線	-	NC	Violet 紫	6F	/A 反相 CH A (reverse)
			Orange 橘	7G	/B 反相 CH B (reverse)
			Brown 棕	8H	/Z 反相 CH Z (reverse)
			Shield 隔離線	-	NC

Pin function of connector

★ FOR LINEAR WIRE POT.
拉線式電阻尺用

TYPE:MS3102A16S-1P
(7pin connector)

TYPE:MS3102A18S-1P
(10 pin connector)

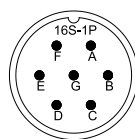
TYPE:MS3102A20S-1P
(17 pin connector)-only for HPN-6D

TYPE:PLT-164P

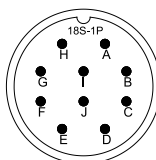
*for Voltage, Open Collector, Push Pull

*for Line Driver

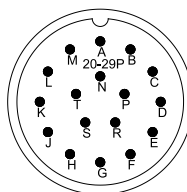
*for Line Driver



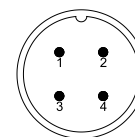
- PIN A +V
- PIN B 0V Common
- PIN C CH A
- PIN D CH B
- PIN E CH Z
- PIN F -
- PIN G -



- PIN A +V
- PIN B 0V Common
- PIN C CH A
- PIN D CH B
- PIN E CH Z
- PIN F CH A reverse
- PIN G CH B reverse
- PIN H CH Z reverse
- PIN I -
- PIN J -



- PIN A CH A
- PIN B CH Z
- PIN C CH B
- PIN D -
- PIN E -
- PIN F -
- PIN G -
- PIN H DC 5V
- PIN J -
- PIN K 0V
- PIN L -
- PIN M 0V
- PIN N CH A reverse
- PIN P CH Z reverse
- PIN R CH B reverse
- PIN S -
- PIN T BODY



- PIN 1 +V
- PIN 2 0V/ground
- PIN 3 output
- PIN 4 -